

Specifications

Max. Fluid Temp: 203°F (95°C)

Max Sys. Pressure: 75 psi

Weight: 12.8 oz (362.9 grams)

Ports: 1/2", 3/4" MHB, 3/8" MPT

FLOW RATES: H2O

Max Flow: 7.79 GPM, 29.47 LPM

Max Head: 54.38 FT, 23.58 PSI

Flow and pressure dependent on input voltage

Materials in contact with solution

Body: PPS (Ryton®)

Impeller: PPS (Ryton®)

Pump Shaft: Ceramic

Bearing Plate: PPS (Ryton®)

Housing: PPS (Ryton®)

Rotor Shell: PPS (Ryton®)

Static O-Ring: EPDM, FKM (Viton)

Motor specifications

Motor: Integrated, Brushless DC

Supply Voltage: 9-24 VDC 60 Watts

Inrush Current: None. Ramps up to running current.

It is recommended that the customer provide circuit over current protection to the pump.
 60 watt pump: 5 amp fast acting fuse is recommended.

Electronics Max Power: 60 watts

Remote Speed Control (Optional - Consult Factory)

- Third Wire
- 0-5 volts (Reference DC NEG). Speed is controlled by a nominal 0-5 volt DC signal.

Agency Approvals

UL778: Motor-operated Water Pumps
 NSF 61: Potable Water
 NSF 372: Lead Content

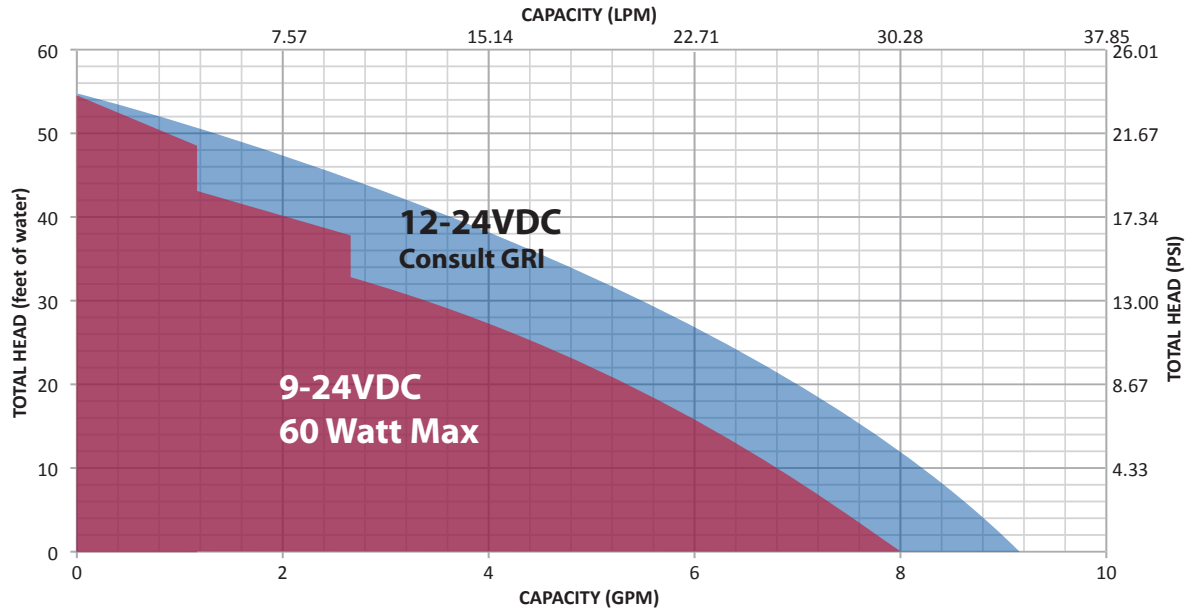
Compliances

RoHS, REACH

Mounting Base Options

360° Mounting Bracket: PPS material

Rubberized shock absorbing: Elastomer material (Neoprene)

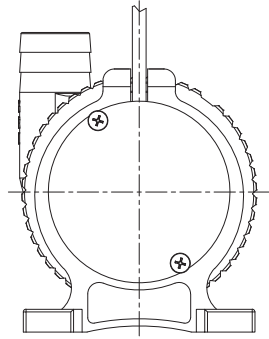
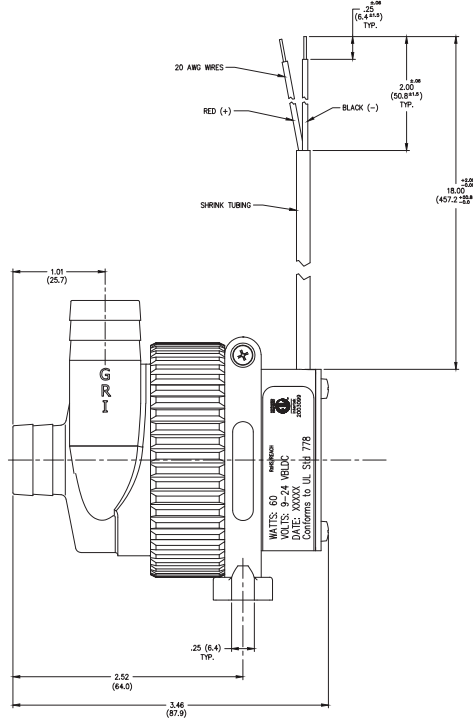
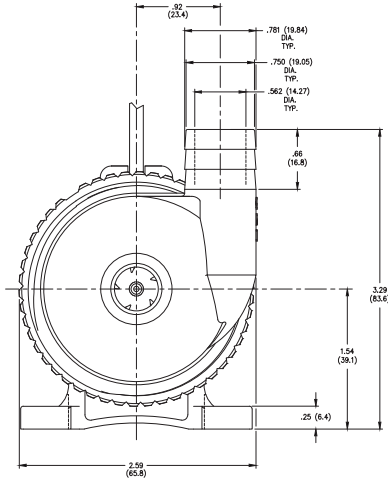


The above curve is an all inclusive overview of the INTG3 Series catalog models represented on this tech sheet. Gorman-Rupp Industries designs and manufactures pumps and pumping solutions for the Original Equipment Manufacturer (OEM). All models shown can be configured to meet specific OEM application requirements. Contact GRI for design points that fall outside of shown parameters.



Note: Testing performed in a controlled laboratory environment. Actual performance may vary (+) or (-) 10% from the information shown.





Model	Voltage	Max Watts	Max Amps @ Max Flow	Max Flow GPM (LPM)	Max Head Feet (PSI)	Connections Inlet/Outlet (Inches)	O-Ring Material
INTG3-550	9-24 VDC	60	2.15	7.79 (29.47)	30.22 (13.10)	3/4 MHB	EPDM
INTG3-551	9-24 VDC	60	2.15	7.79 (29.47)	30.22 (13.10)	3/4 MHB	FKM
INTG3-552	24 VDC, 0-5v controller	60	1.99	7.89 (29.88)	29.11 (12.62)	3/4 MHB	EPDM
INTG3-553	24 VDC, 0-5v controller	60	1.99	7.89 (29.88)	29.11 (12.62)	3/4 MHB	FKM
INTG3-560	9-24 VDC	60	2.19	6.73 (25.46)	39.42 (17.09)	1/2 MHB	EPDM
INTG3-561	9-24 VDC	60	2.19	6.73 (25.46)	39.42 (17.09)	1/2 MHB	FKM
INTG3-562	24 VDC, 0-5v controller	60	2.07	6.73 (25.46)	39.83 (17.27)	1/2 MHB	EPDM
INTG3-563	24 VDC, 0-5v controller	60	2.07	6.73 (25.46)	39.83 (17.27)	1/2 MHB	FKM
INTG3-564	9-24 VDC	60	2.19	6.73 (25.46)	39.42 (17.09)	3/8 MPT	EPDM
INTG3-565	9-24 VDC	60	2.19	6.73 (25.46)	39.42 (17.09)	3/8 MPT	FKM
INTG3-566	24 VDC, 0-5v controller	60	2.07	6.73 (25.46)	39.83 (17.27)	3/8 MPT	EPDM
INTG3-567	24 VDC, 0-5v controller	60	2.07	6.73 (25.46)	39.83 (17.27)	3/8 MPT	FKM
INTG3-570	9-24 VDC	60	2.88	6.41 (24.27)	53.54 (23.21)	1/2 MHB	EPDM
INTG3-571	9-24 VDC	60	2.88	6.41 (24.27)	53.54 (23.21)	1/2 MHB	FKM
INTG3-572	24 VDC, 0-5v controller	60	3.18	7.49 (28.34)	54.38 (23.58)	1/2 MHB	EPDM
INTG3-573	24 VDC, 0-5v controller	60	3.18	7.49 (28.34)	54.38 (23.58)	1/2 MHB	FKM
INTG3-574	9-24 VDC	60	2.88	6.41 (24.27)	53.54 (23.21)	3/8 MPT	EPDM
INTG3-575	9-24 VDC	60	2.88	6.41 (24.27)	53.54 (23.21)	3/8 MPT	FKM
INTG3-576	24 VDC, 0-5v controller	60	3.18	7.49 (28.34)	54.38 (23.58)	3/8 MPT	EPDM
INTG3-577	24 VDC, 0-5v controller	60	3.18	7.49 (28.34)	54.38 (23.58)	3/8 MPT	FKM

• 0-5v Controller requires third wire on driver. • Testing performed in a controlled laboratory environment. Actual performance may vary (+) or (-) 10% from the information shown.